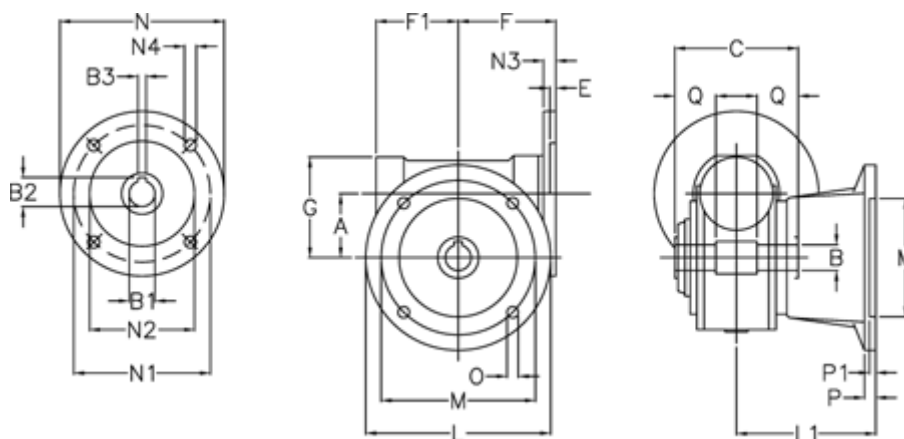


Article number: 390204901862710  
 Description: Worm gear  
 VF 49-FA2-18-71B5

## Measures



A = 49.5	F1 = 63	N2 = 110
B = 25 H7	G = 80	N3 = 10.5
B1 E7 = 14	L = 125	N4 = 9.5
B2 = 16.3	L1 = 115	O = 10.5
B3 H9 = 5	M = 90	P = 12
C = 82	M1 = 70	P1 = 10
E = 3	N = 160	Q = 22.5
F = 70	N1 = 130	